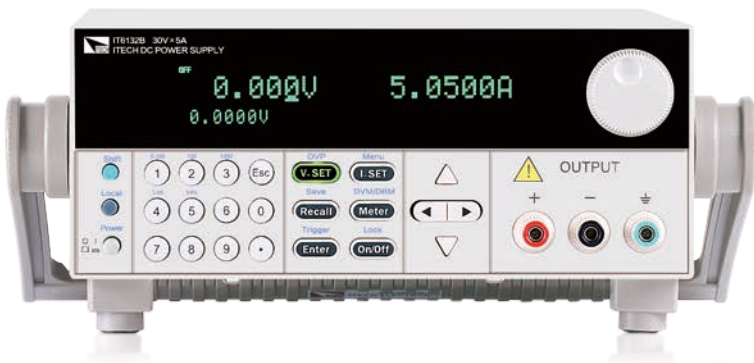


IT6100B High Accuracy Programmable DC Power Supply



Applications

Aerospace power module testing, circuit board testing, medical equipment testing, electronic rectifier testing, etc.

IT6100B series (86 ~ 1200W) high speed high resolution programmable DC power supply is with ultra-high voltage rising speed, resolution up to 0.1mV / 0.01mA, the latest output waveform priority mode allows rising waveform of voltage or current with high-speed and no overshoot, which is widely used in aerospace power modules and other high-precision test occasions. IT6100B has built-in USB / RS232 / GPIB communication interface and the panel supports List programming, which can provide multi-purpose solutions according to customer design and testing demands, easy to use.

Feature

- Output linear adjustment, high speed, reliable, low noise
- High accuracy and resolution
- High voltage rising edge
- Built-in 5½ digital voltmeter and Ohmmeter
- Memory capacity: 100 groups
- List mode
- Timer function (0.01~60000S)
- Remote sense interface to compensate line voltage
- Built-in RS232/USB/GPIB interface and support SCPI protocol

High voltage rise speed

Comparing with general high speed power supplies, IT6100B series power supplies reduce their ripple and noise to the lowest level. Their high voltage rise speed suits for all high speed and precise testing occasions.

Model	Voltage	Current	Power	Size
IT6121B	20V	5A	100W	1/2 2U
IT6122B	32V	3A	96W	1/2 2U
IT6123B	72V	1.2A	86W	1/2 2U
IT6132B	30V	5A	150W	1/2 2U
IT6133B	60V	2.5A	150W	1/2 2U



Digital voltage milliohmeter

IT6100B series has built-in precision digital voltage ohmmeter
 Digital ohmmeter: Provide four-wire method to measure resistance, measurement range: 0 ~ 1Ω
 Digital voltmeter: A 5½ voltmeter is provided to measure the external voltage, measurement range: 0 ~ 40V

Optional Accessories

- IT-E121 RS232 Communication Cable
- IT-E122 USB Communication Cable
- IT-E135 GPIB Communication Cable
- IT-E151A (For Under 1200W) 19-inch Rack Mount Kit



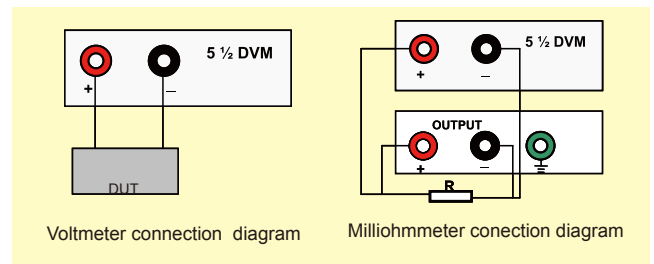
IT6100B Specifications

		IT6121B	IT6122B	IT6123B	IT6132B	IT6133B
DC output range	Voltage	0~20V	0~32V	0~72V	0~30V	0~60V
	Current	0~5A	0~3A	0~1.2A	0~5A	0~2.5A
	Power	100W	96W	86.4W	150W	150W
Line regulation	Voltage	<0.01%+1mV	<0.01%+1mV	<0.01%+1mV	<0.01%+1mV	<0.01%+2mV
	Current	<0.05%+1mA	<0.05%+1mA	<0.05%+1mA	<0.05%+1mA	<0.05%+0.05mA
Load regulation	Voltage	<0.01%+2mV	<0.01%+2mV	<0.01%+2mV	<0.01%+2mV	<0.01%+2mV
	Current	<0.05%+0.1mA	<0.05%+0.1mA	<0.05%+0.1mA	<0.05%+1.5mA	<0.05%+0.5mA
Ripple and noise (20HZ-7MHZ)	Voltage	<1mv Vrms/<3mv Vpp	<1mv Vrms/<3mv Vpp	<1mv Vrms/<4mv Vpp	<1mv Vrms/<4mv Vpp	<1mv Vrms/<5mv Vpp
	Current	<3mA rms	<3mA rms	<3mA rms	<4mA rms	<3mA rms
Programming resolution	Voltage	1mV	1mV	1mV	1mV	1mV
	Current	0.1mA	0.1mA	0.1mA	0.1mA	0.1mA
Programming accuracy	Voltage	±0.03%+3mV	±0.03%+3mV	±0.03%+6mV	±0.03%+3mV	±0.03%+6mV
	Current	±0.05%+2mA	±0.05%+2mA	±0.05%+1mA	±0.05%+2.5mA	±0.05%+1.5mA
Display value resolution	Voltage	0.1mV	0.1mV	0.1mV	0.1mV	0.1mV
	Current	0.01mA	0.01mA	0.01mA	0.01mA	0.01mA
Read back accuracy	Voltage	±0.02%+3mV	±0.02%+3mV	±0.02%+5mV	±0.02%+3mV	±0.02%+5mV
	Current	±0.05%+2mA	±0.05%+2mA	±0.05%+1mA	±0.05%+2.5mA	±0.05%+1.5mA
Transient response (typical)						
Load changes		<200us	<200us	<200us	<200us	<200us
50% -100% Load back to less than 75mV						
Set the change voltage to rise		<20ms	<20ms	<20ms	<20ms	<20ms
<small>Set the voltage from 0% to 100%, voltage change from 10% to 90% of the time</small>						
Set the change voltage to drop		<200ms	<150ms	<150ms	<250ms	<200ms
<small>Set the voltage from 0% to 100%, voltage change from 10% to 90% of the time</small>						
Overvoltage protection	Range (typical)	1~19V	1~31V	1~71V	1~29V	1~59V
	Accuracy (typical)	± (setting value * 0.5% + 0.5V)				
	Response time (typical)	<10ms				
Display value accuracy		DVM(DC) ±0.02%+10mV				
Display resolution		0.1mV when less than 10V; 1mV when more than 10V				
Enter the differential mode voltage range		0~40Vpk				
Enter the common mode voltage range		0~30Vpk				
Common mode rejection ratio		<0.1%				
Weight		7Kg				

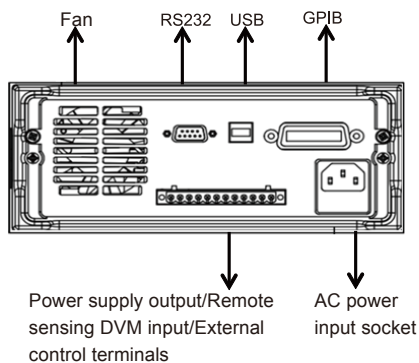
*This information is subject to change without notice

Digital Voltmeter

The digital milliohm meter: IT6120B provide 4-wires resistance measurement method, measuring range: 0~1K;
The digital voltmeter: IT6100B provide 5 ½ voltage meter to measure external voltage, measuring range:0~40V.



Rear Panel



Optional Accessories

- IT-E121 RS232 Communication Cable
- IT-E122 USB Communication Cable
- IT-E135 GPIB Communication Cable
- IT-E151 (For Under 1200W) 19-inch Rack Mount Kit

Standard Accessories

- Power Cord
- User Manual
- Calibration Report